



ARTIFLEX® Phakic IOL

ARTIFLEX® are foldable iris fixated phakic intraocular lenses, meant for the correction of refractive errors. They provide patients with high quality vision and reduce or avoid the need for glasses or contact lenses. The ARTIFLEX® has proven to be one of the world's safest, most effective IOL designs.



// Main Features & Benefits

✓ One size fits all

ARTIFLEX® Phakic IOLs make surgeon's choices simpler. There is no need to make complicated decisions based on vaulting.

✓ No post-op rotation

ARTIFLEX® IOLs do not rotate because they are fixated to the iris. This makes ARTIFLEX® the best suit for astigmatic patients. You can also easily center the lens and you are not dependent on the eye anatomy for perfect results.

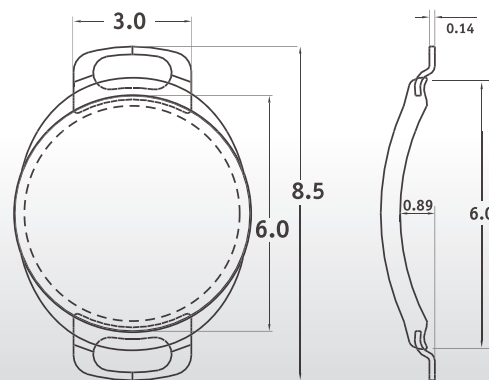
✓ Reversible procedure

ARTIFLEX® has been on the market for decades and has a long track record of safety, efficiency and reliability. Besides that it is a reversible procedure.

✓ Great dynamic flow

ARTIFLEX® was designed to be far from the natural lens to avoid cataract formation. It offers great flow dynamics for the aqueous humor helping to prevent high intraocular pressure.

// Specifications



Optic material:
Polysiloxane

Haptic material:
PMMA

